



## Centinox

IP66

IK08 (5J)

Bulkhead

Class I

Surface

HT50°C

Transport

Centinox is a tunnel light designed for challenging environments such as rail tunnels.

Standard Colours

Stainless Steel Finish

### Product Information

[Centinox](#)'s specialised optics are designed to ensure the safe illumination of running tunnels during maintenance and emergencies, whilst providing the required light levels and uniformity for cross over tunnels during standard operation.

Centinox is designed to be spaced up to 12 metres apart, in tunnels up to 8 metres in diameter. The terminals within the luminaire are designed for cable up to 16mm<sup>2</sup>, with provision for terminating an SWA earth externally. Stainless steel draw latches and lift off hinges facilitate tool free maintenance and installation.

Centinox complies with London Underground subsurface standard S1085 utilising low smoke, zero halogen cables and control gear.

This luminaire is designed for longevity and sustainability and adheres to our circular design principles. We conduct a circular economy assessment using TM66 and measure embodied carbon (kgCO<sub>2</sub>e) in accordance with TM65.2.

[Centinox is our first luminaire with a 100 year design life.](#)

**Impact Resistance Rating:** IK08 (5J). [What is IK Rating?](#)

**Ingress Protection Rating:** IP66. [What is IP Rating?](#)

**Housing:** Marine grade stainless steel.

**Paint:** N/A.

**Diffuser:** Toughened glass, coated with water and dirt repellent.

**Driver:** Electronic control gear on a removable tray with fused plug & socket connector block.

**Mounting:** Wall.

**Cable Entry:** Provision for M25 cable glands and external earth termination at the bottom.

**Design Life:** 100 years. [What is Design Life?](#)

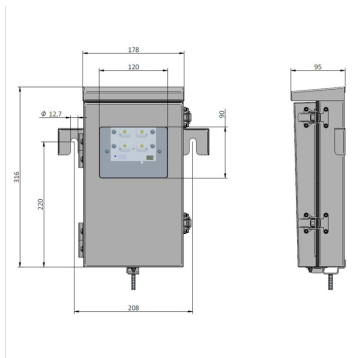
## ■ Technical Information

Centinox	Output (Lum/lm)	Load (W)	Efficacy (lm/W)	CCT (K)
Clear				
TL1-900N-C-SF	864	7	123	4000
	Weight (kg)	CRI	High Temp (°C)	LED Lifetime
	5	CRI>70	50	L <sub>80</sub> B <sub>10</sub> >220,000h
	Driver lifetime (up to hours)	LED Energy Rating	Emergency Output (Lum/lm)	Nightlight Output (Lum/lm)
	100,000	B	-	-
Dimensions				
316mm x 178mm x 95mm				
TL1-900Y-C-SF	878	8.7	101	2200
	Weight (kg)	CRI	High Temp (°C)	LED Lifetime
	5	CRI>70	50	L <sub>80</sub> B <sub>10</sub> >220,000h
	Driver lifetime (up to hours)	LED Energy Rating	Emergency Output (Lum/lm)	Nightlight Output (Lum/lm)
	100,000	C	-	-
Dimensions				
316mm x 178mm x 95mm				

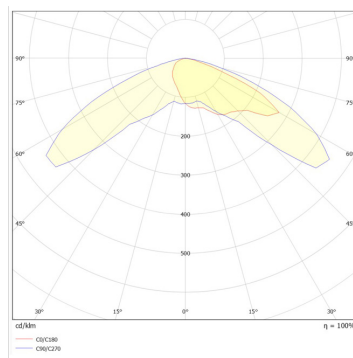
## ■ Fitting Options

Stainless Steel Finish

-SF



Centinox Drawing



Centinox Polar Curve