



Tuscan G2

IP65

IK18 (200J)

Linear

Class I

Surface

HT50°C

Community and Public

Custodial

Tuscan G2 is a vandal resistant linear luminaire specifically designed for challenging environments, such as transport, custodial and community and public installations.

Standard Colours

Textured Black

Textured White

Matt Titanium

Product Information

As part of the new generation of the Tuscan family, Tuscan G2 combines improved efficiency, enhanced impact resistance, and a refined modern aesthetic. The specialist diffuser material provides a soft, uniform lit appearance, complemented by the durability expected from the Tuscan range. Featuring a removable gear tray, Tuscan G2 is designed for ease of maintenance and seamless integration of future sustainable technology upgrades.

Community and Public applications include subways, car parks, and the perimeter of buildings. Custodial applications include police stations, law courts and association areas. Transport applications include covered platforms, general circulation, back of house, stairs and footbridges.

This luminaire is designed for longevity and sustainability and adheres to our circular design principles. We conduct a circular economy assessment using [TM66](#) and measure embodied carbon (kgCO₂e) in accordance with [TM65.2](#).

Find out about the revolution of our [Tuscan luminaire](#).

Impact Resistance Rating: IK18 (200J). [What is IK Rating?](#)

Ingress Protection Rating: IP65. [What is IP Rating?](#)

Housing: Zinc coated steel body.

Paint: Polyester powder coat. [All Colour Options Available Here.](#)

Diffuser: Opal polycarbonate diffuser in frame secured with tamperproof screws.

Driver: Electronic control gear on removable tray for ease of repair/upgrade with fused plug & socket connector block.

Mounting: Wall or ceiling.

Cable Entry: Provision for conduit entry in back and ends.

Design Life: 30+ years. [What is Design Life?](#)

■ Technical Information

TuscanG2	Output (Lum/lm)	Load (W)	Efficacy (lm/W)	CCT (K)
L670mm				
TUA-2-1900N-X-TB	1945	15.9	122	4000
	Weight (kg)	CRI	High Temp (°C)	LED Lifetime
	4	CRI>80	-	L ₈₀ B ₁₀₀ >102,000h
	Driver lifetime (up to hours)	LED Energy Rating	Emergency Output (Lum/lm)	Nightlight Output (Lum/lm)
	100,000	B	538	-
	Dimensions			
	150mm x 80mm			
TUA-2-2300N-X-TB	2256	18.2	124	4000
	Weight (kg)	CRI	High Temp (°C)	LED Lifetime
	4	CRI>80	-	L ₈₀ B ₁₀₀ >102,000h
	Driver lifetime (up to hours)	LED Energy Rating	Emergency Output (Lum/lm)	Nightlight Output (Lum/lm)
	100,000	B	538	-
	Dimensions			
	150mm x 80mm			
TUA-2-2500N-X-TB	2541	20.4	125	4000
	Weight (kg)	CRI	High Temp (°C)	LED Lifetime
	4	CRI>80	-	L ₈₀ B ₁₀₀ >102,000h
	Driver lifetime (up to hours)	LED Energy Rating	Emergency Output (Lum/lm)	Nightlight Output (Lum/lm)
	100,000	B	538	-
	Dimensions			
	150mm x 80mm			
TUA-2-1800W-X-TB	1848	15.9	116	3000
	Weight (kg)	CRI	High Temp (°C)	LED Lifetime
	4	CRI>80	-	L ₈₀ B ₁₀₀ >102,000h
	Driver lifetime (up to hours)	LED Energy Rating	Emergency Output (Lum/lm)	Nightlight Output (Lum/lm)
	100,000	C	-	-
	Dimensions			
	150mm x 80mm			
TUA-2-2100W-X-TB	2145	18.2	118	3000
	Weight (kg)	CRI	High Temp (°C)	LED Lifetime
	4	CRI>80	-	L ₈₀ B ₁₀₀ >102,000h
	Driver lifetime (up to hours)	LED Energy Rating	Emergency Output (Lum/lm)	Nightlight Output (Lum/lm)
	100,000	C	-	-
	Dimensions			
	150mm x 80mm			

TuscanG2	Output (Lum/lm)	Load (W)	Efficacy (lm/W)	CCT (K)
L670mm				
TUA-2-2400W-X-TB	2440	20.5	119	3000
	Weight (kg)	CRI	High Temp (°C)	LED Lifetime
	4	CRI>80	-	L ₈₀ B ₁₀₀ >102,000h
	Driver lifetime (up to hours)	LED Energy Rating	Emergency Output (Lum/lm)	Nightlight Output (Lum/lm)
	100,000	C	-	-
	Dimensions			
	150mm x 80mm			
L1243mm				
TUA-4-2000N-X-TB	1969	14.8	133	4000
	Weight (kg)	CRI	High Temp (°C)	LED Lifetime
	7.9	CRI>80	50	L ₈₀ B ₁₀₀ >102,000h
	Driver lifetime (up to hours)	LED Energy Rating	Emergency Output (Lum/lm)	Nightlight Output (Lum/lm)
	100,000	B	572	-
	Dimensions			
	150mm x 80mm			
TUA-4-2600N-X-TB	2629	19.4	136	4000
	Weight (kg)	CRI	High Temp (°C)	LED Lifetime
	7.9	CRI>80	50	L ₈₀ B ₁₀₀ >102,000h
	Driver lifetime (up to hours)	LED Energy Rating	Emergency Output (Lum/lm)	Nightlight Output (Lum/lm)
	100,000	B	572	-
	Dimensions			
	150mm x 80mm			
TUA-4-3300N-X-TB	3301	24	138	4000
	Weight (kg)	CRI	High Temp (°C)	LED Lifetime
	7.9	CRI>80	50	L ₈₀ B ₁₀₀ >102,000h
	Driver lifetime (up to hours)	LED Energy Rating	Emergency Output (Lum/lm)	Nightlight Output (Lum/lm)
	100,000	B	572	-
	Dimensions			
	150mm x 80mm			
TUA-4-3900N-X-TB	3915	28.5	137	4000
	Weight (kg)	CRI	High Temp (°C)	LED Lifetime
	7.9	CRI>80	50	L ₈₀ B ₁₀₀ >102,000h
	Driver lifetime (up to hours)	LED Energy Rating	Emergency Output (Lum/lm)	Nightlight Output (Lum/lm)
	100,000	B	572	-
	Dimensions			
	150mm x 80mm			

TuscanG2	Output (Lum/lm)	Load (W)	Efficacy (lm/W)	CCT (K)
L1243mm				
TUA-4-4500N-X-TB	4517	33	137	4000
	Weight (kg)	CRI	High Temp (°C)	LED Lifetime
	7.9	CRI>80	50	L ₈₀ B ₁₀₀ >102,000h
	Driver lifetime (up to hours)	LED Energy Rating	Emergency Output (Lum/lm)	Nightlight Output (Lum/lm)
	100,000	B	572	-
	Dimensions			
	150mm x 80mm			
TUA-4-5100N-X-TB	5110	37.6	136	4000
	Weight (kg)	CRI	High Temp (°C)	LED Lifetime
	7.9	CRI>80	50	L ₈₀ B ₁₀₀ >102,000h
	Driver lifetime (up to hours)	LED Energy Rating	Emergency Output (Lum/lm)	Nightlight Output (Lum/lm)
	100,000	B	572	-
	Dimensions			
	150mm x 80mm			
TUA-4-1900W-X-TB	1872	14.9	126	3000
	Weight (kg)	CRI	High Temp (°C)	LED Lifetime
	7.9	CRI>80	50	L ₈₀ B ₁₀₀ >102,000h
	Driver lifetime (up to hours)	LED Energy Rating	Emergency Output (Lum/lm)	Nightlight Output (Lum/lm)
	100,000	C	558	-
	Dimensions			
	150mm x 80mm			
TUA-4-2500W-X-TB	2512	19.5	129	3000
	Weight (kg)	CRI	High Temp (°C)	LED Lifetime
	7.9	CRI>80	50	L ₈₀ B ₁₀₀ >102,000h
	Driver lifetime (up to hours)	LED Energy Rating	Emergency Output (Lum/lm)	Nightlight Output (Lum/lm)
	100,000	C	558	-
	Dimensions			
	150mm x 80mm			
TUA-4-3100W-X-TB	3141	24.1	130	3000
	Weight (kg)	CRI	High Temp (°C)	LED Lifetime
	7.9	CRI>80	50	L ₈₀ B ₁₀₀ >102,000h
	Driver lifetime (up to hours)	LED Energy Rating	Emergency Output (Lum/lm)	Nightlight Output (Lum/lm)
	100,000	C	558	-
	Dimensions			
	150mm x 80mm			

TuscanG2	Output (Lum/lm)	Load (W)	Efficacy (lm/W)	CCT (K)
L1243mm				
TUA-4-3700W-X-TB	3723	28.6	130	3000
	Weight (kg)	CRI	High Temp (°C)	LED Lifetime
	7.9	CRI>80	50	L ₈₀ B ₁₀₀ >102,000h
	Driver lifetime (up to hours)	LED Energy Rating	Emergency Output (Lum/lm)	Nightlight Output (Lum/lm)
	100,000	C	558	-
	Dimensions			
	150mm x 80mm			
TUA-4-4300W-X-TB	4302	33.1	130	3000
	Weight (kg)	CRI	High Temp (°C)	LED Lifetime
	7.9	CRI>80	50	L ₈₀ B ₁₀₀ >102,000h
	Driver lifetime (up to hours)	LED Energy Rating	Emergency Output (Lum/lm)	Nightlight Output (Lum/lm)
	100,000	C	558	-
	Dimensions			
	150mm x 80mm			
TUA-4-4900W-X-TB	4874	37.8	129	3000
	Weight (kg)	CRI	High Temp (°C)	LED Lifetime
	7.9	CRI>80	50	L ₈₀ B ₁₀₀ >102,000h
	Driver lifetime (up to hours)	LED Energy Rating	Emergency Output (Lum/lm)	Nightlight Output (Lum/lm)
	100,000	C	558	-
	Dimensions			
	150mm x 80mm			
L1547mm				
TUA-5-2400N-X-TB	2384	17.6	135	4000
	Weight (kg)	CRI	High Temp (°C)	LED Lifetime
	9.9	CRI>80	-	L ₈₀ B ₁₀₀ >102,000h
	Driver lifetime (up to hours)	LED Energy Rating	Emergency Output (Lum/lm)	Nightlight Output (Lum/lm)
	100,000	B	-	-
	Dimensions			
	150mm x 80mm			
TUA-5-3200N-X-TB	3181	23.2	137	4000
	Weight (kg)	CRI	High Temp (°C)	LED Lifetime
	9.9	CRI>80	-	L ₈₀ B ₁₀₀ >102,000h
	Driver lifetime (up to hours)	LED Energy Rating	Emergency Output (Lum/lm)	Nightlight Output (Lum/lm)
	100,000	B	-	-
	Dimensions			
	150mm x 80mm			

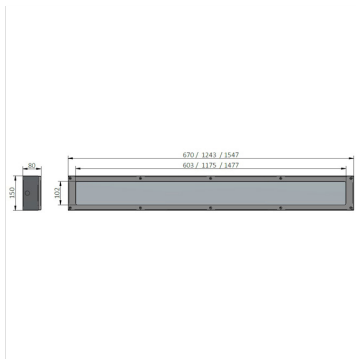
TuscanG2	Output (Lum/lm)	Load (W)	Efficacy (lm/W)	CCT (K)
L1547mm				
TUA-5-4000N-X-TB	3983	28.9	138	4000
Weight (kg)	CRI	High Temp (°C)	LED Lifetime	
9.9	CRI>80	-	L ₈₀ B ₁₀₀ >102,000h	
Driver lifetime (up to hours)	LED Energy Rating	Emergency Output (Lum/lm)	Nightlight Output (Lum/lm)	
100,000	B	-	-	
Dimensions				
150mm x 80mm				
TUA-5-4800N-X-TB	4762	34.6	138	4000
Weight (kg)	CRI	High Temp (°C)	LED Lifetime	
9.9	CRI>80	-	L ₈₀ B ₁₀₀ >102,000h	
Driver lifetime (up to hours)	LED Energy Rating	Emergency Output (Lum/lm)	Nightlight Output (Lum/lm)	
100,000	B	-	-	
Dimensions				
150mm x 80mm				
TUA-5-5500N-X-TB	5530	40.4	137	4000
Weight (kg)	CRI	High Temp (°C)	LED Lifetime	
9.9	CRI>80	-	L ₈₀ B ₁₀₀ >102,000h	
Driver lifetime (up to hours)	LED Energy Rating	Emergency Output (Lum/lm)	Nightlight Output (Lum/lm)	
100,000	B	-	-	
Dimensions				
150mm x 80mm				
TUA-5-6300N-X-TB	6335	46.6	136	4000
Weight (kg)	CRI	High Temp (°C)	LED Lifetime	
9.9	CRI>80	-	L ₈₀ B ₁₀₀ >102,000h	
Driver lifetime (up to hours)	LED Energy Rating	Emergency Output (Lum/lm)	Nightlight Output (Lum/lm)	
100,000	B	-	-	
Dimensions				
150mm x 80mm				
TUA-5-2300W-X-TB	2271	17.6	129	3000
Weight (kg)	CRI	High Temp (°C)	LED Lifetime	
9.9	CRI>80	-	L ₈₀ B ₁₀₀ >102,000h	
Driver lifetime (up to hours)	LED Energy Rating	Emergency Output (Lum/lm)	Nightlight Output (Lum/lm)	
100,000	C	-	-	
Dimensions				
150mm x 80mm				

TuscanG2	Output (Lum/lm)	Load (W)	Efficacy (lm/W)	CCT (K)
L1547mm				
TUA-5-3000W-X-TB	3047	23.3	131	3000
Weight (kg)	CRI	High Temp (°C)	LED Lifetime	
9.9	CRI>80	-	L ₈₀ B ₁₀₀ >102,000h	
Driver lifetime (up to hours)	LED Energy Rating	Emergency Output (Lum/lm)	Nightlight Output (Lum/lm)	
100,000	C	-	-	
Dimensions				
150mm x 80mm				
TUA-5-3800W-X-TB	3835	29.1	132	3000
Weight (kg)	CRI	High Temp (°C)	LED Lifetime	
9.9	CRI>80	-	L ₈₀ B ₁₀₀ >102,000h	
Driver lifetime (up to hours)	LED Energy Rating	Emergency Output (Lum/lm)	Nightlight Output (Lum/lm)	
100,000	C	-	-	
Dimensions				
150mm x 80mm				
TUA-5-4500W-X-TB	4524	34.6	131	3000
Weight (kg)	CRI	High Temp (°C)	LED Lifetime	
9.9	CRI>80	-	L ₈₀ B ₁₀₀ >102,000h	
Driver lifetime (up to hours)	LED Energy Rating	Emergency Output (Lum/lm)	Nightlight Output (Lum/lm)	
100,000	C	-	-	
Dimensions				
150mm x 80mm				
TUA-5-5200W-X-TB	5280	40.4	131	3000
Weight (kg)	CRI	High Temp (°C)	LED Lifetime	
9.9	CRI>80	-	L ₈₀ B ₁₀₀ >102,000h	
Driver lifetime (up to hours)	LED Energy Rating	Emergency Output (Lum/lm)	Nightlight Output (Lum/lm)	
100,000	C	-	-	
Dimensions				
150mm x 80mm				
TUA-5-6000W-X-TB	5982	46.2	130	3000
Weight (kg)	CRI	High Temp (°C)	LED Lifetime	
9.9	CRI>80	-	L ₈₀ B ₁₀₀ >102,000h	
Driver lifetime (up to hours)	LED Energy Rating	Emergency Output (Lum/lm)	Nightlight Output (Lum/lm)	
100,000	C	-	-	
Dimensions				
150mm x 80mm				

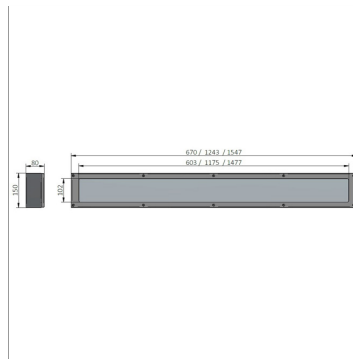
■ Fitting Options

Anti-Graffiti Diffuser Coating	-AG
Coastal Paint Finish (Zone 2)	-Z2
Network Rail Specs	-NT
Blank Ends	-BE
DALI with **% Pre-set	-D
Maintained Emergency 3 Hour, Self Test	-ES
Maintained Emergency 3 Hour, DALI	-ED
Maintained Emergency 3 Hour	-E3
Textured Black	-TB
Textured White	-TW
Matt Titanium	-MT
Switch Dimming	-DI
DALI-2 Dimming / Monitoring	-DA
Night Time Dimming 6% Pre-set	-DN
Corridor Function	-CF

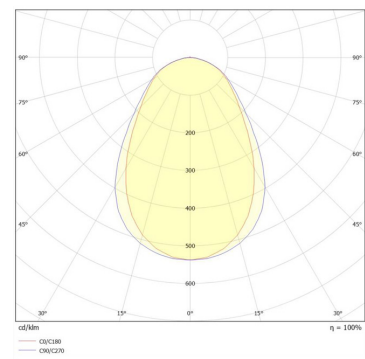
- For paint colour options, please replace -TB with required paint code.
- -CF will only work if combined with an external presence detection sensor supplied by others.
- HT Applies for standard version. For any options (e.g. E3) please contact technical sales on +44 (0)20 8254 2022 or email technical@designplan.co.uk.
- Emergency options (-E3/ -ES/ -ED) and Dimming options (-DA/ -DI) cannot be combined on 670mm versions.
- Emergency options (-E3/ -ES/ -ED) and Corridor Function (-CF) cannot be combined on 670mm versions.
- -ED not available on 670mm versions.



Tuscan G2 Drawing



Tuscan G2 Blank Ends Option Drawing



Tuscan G2 Polar Curve