



## Tuscan G2 45

IP65

IK18 (200J)

Linear

Class I

Surface

HT50°C

Community and Public

Custodial

Transport

Tuscan G2 45 is a vandal resistant linear luminaire specifically designed for challenging environments such as transport, custodial and community and public installations.

Standard Colours

Textured Black

Textured White

Matt Titanium

### Product Information

As part of the new generation of the Tuscan family, Tuscan G2 45 combines improved efficiency, enhanced impact resistance, and a refined modern aesthetic. The specialist diffuser material provides a soft, uniform lit appearance, complemented by the durability expected from the Tuscan range. With a 45 degree angled body, Tuscan G2 45 efficiently directs light where it's required, when mounted on the wall or cornice. Featuring a removable gear tray, Tuscan is designed for ease of maintenance and seamless integration of future sustainable technology upgrades. Community and Public applications include subways, car parks, and the perimeter of buildings. Custodial applications include police stations, law courts and association areas. Transport applications include covered platforms, general circulation, back of house, stairs and footbridges.

This luminaire is designed for longevity and sustainability and adheres to our circular design principles. We conduct a circular economy assessment using [TM66](#) and measure embodied carbon (kgCO<sub>2</sub>e) in accordance with [TM65.2](#).

Find out about the revolution of our [Tuscan luminaire](#).

**Impact Resistance Rating:** IK18 (200J). [What is IK Rating?](#)

**Ingress Protection Rating:** IP65. [What is IP Rating?](#)

**Housing:** Zinc coated steel body.

**Paint:** Polyester powder coat. [All Colour Options Available Here.](#)

**Diffuser:** Opal polycarbonate diffuser in frame secured with tamperproof screws.

**Driver:** Electronic control gear on removable tray for ease of repair/upgrade with fused plug & socket connector block.

**Mounting:** Wall or cornice mounting at 45°

**Cable Entry:** Provision for conduit entry in back and ends.

**Design Life:** 30+ years. [What is Design Life?](#)

## ■ Technical Information

TuscanG245	Output (Lum/lm)	Load (W)	Efficacy (lm/W)	CCT (K)
<b>L670mm</b>				
TUC-2-1900N-X-TB	1945	15.9	122	4000
	<b>Weight (kg)</b>	<b>CRI</b>	<b>High Temp (°C)</b>	<b>LED Lifetime</b>
	4.1	CRI>80	-	L <sub>80</sub> B <sub>100</sub> >102,000h
	<b>Driver lifetime (up to hours)</b>	<b>LED Energy Rating</b>	<b>Emergency Output (Lum/lm)</b>	<b>Nightlight Output (Lum/lm)</b>
	100,000	B	538	-
	<b>Dimensions</b>			
	137mm x 137mm			
TUC-2-2300N-X-TB	2256	18.2	124	4000
	<b>Weight (kg)</b>	<b>CRI</b>	<b>High Temp (°C)</b>	<b>LED Lifetime</b>
	4.1	CRI>80	-	L <sub>80</sub> B <sub>100</sub> >102,000h
	<b>Driver lifetime (up to hours)</b>	<b>LED Energy Rating</b>	<b>Emergency Output (Lum/lm)</b>	<b>Nightlight Output (Lum/lm)</b>
	100,000	B	538	-
	<b>Dimensions</b>			
	137mm x 137mm			
TUC-2-2500N-X-TB	2541	20.4	125	4000
	<b>Weight (kg)</b>	<b>CRI</b>	<b>High Temp (°C)</b>	<b>LED Lifetime</b>
	4.1	CRI>80	-	L <sub>80</sub> B <sub>100</sub> >102,000h
	<b>Driver lifetime (up to hours)</b>	<b>LED Energy Rating</b>	<b>Emergency Output (Lum/lm)</b>	<b>Nightlight Output (Lum/lm)</b>
	100,000	B	538	-
	<b>Dimensions</b>			
	137mm x 137mm			
TUC-2-1800W-X-TB	1848	15.9	116	3000
	<b>Weight (kg)</b>	<b>CRI</b>	<b>High Temp (°C)</b>	<b>LED Lifetime</b>
	4.1	CRI>80	-	L <sub>80</sub> B <sub>100</sub> >102,000h
	<b>Driver lifetime (up to hours)</b>	<b>LED Energy Rating</b>	<b>Emergency Output (Lum/lm)</b>	<b>Nightlight Output (Lum/lm)</b>
	100,000	C	-	-
	<b>Dimensions</b>			
	137mm x 137mm			
TUC-2-2100W-X-TB	2145	18.2	118	3000
	<b>Weight (kg)</b>	<b>CRI</b>	<b>High Temp (°C)</b>	<b>LED Lifetime</b>
	4.1	CRI>80	-	L <sub>80</sub> B <sub>100</sub> >102,000h
	<b>Driver lifetime (up to hours)</b>	<b>LED Energy Rating</b>	<b>Emergency Output (Lum/lm)</b>	<b>Nightlight Output (Lum/lm)</b>
	100,000	C	-	-
	<b>Dimensions</b>			
	137mm x 137mm			

TuscanG245	Output (Lum/lm)	Load (W)	Efficacy (lm/W)	CCT (K)
<b>L670mm</b>				
TUC-2-2400W-X-TB	2440	20.5	119	3000
<b>Weight (kg)</b>	<b>CRI</b>	<b>High Temp (°C)</b>	<b>LED Lifetime</b>	
4.1	CRI>80	-	L <sub>80</sub> B <sub>100</sub> >102,000h	
<b>Driver lifetime (up to hours)</b>	<b>LED Energy Rating</b>	<b>Emergency Output (Lum/lm)</b>	<b>Nightlight Output (Lum/lm)</b>	
100,000	C	-	-	
<b>Dimensions</b>				
137mm x 137mm				
<b>L1243mm</b>				
TUC-4-2000N-X-TB	1969	14.8	133	4000
<b>Weight (kg)</b>	<b>CRI</b>	<b>High Temp (°C)</b>	<b>LED Lifetime</b>	
8.2	CRI>80	50	L <sub>80</sub> B <sub>100</sub> >102,000h	
<b>Driver lifetime (up to hours)</b>	<b>LED Energy Rating</b>	<b>Emergency Output (Lum/lm)</b>	<b>Nightlight Output (Lum/lm)</b>	
100,000	B	572	-	
<b>Dimensions</b>				
137mm x 137mm				
TUC-4-2600N-X-TB	2629	19.4	136	4000
<b>Weight (kg)</b>	<b>CRI</b>	<b>High Temp (°C)</b>	<b>LED Lifetime</b>	
8.2	CRI>80	50	L <sub>80</sub> B <sub>100</sub> >102,000h	
<b>Driver lifetime (up to hours)</b>	<b>LED Energy Rating</b>	<b>Emergency Output (Lum/lm)</b>	<b>Nightlight Output (Lum/lm)</b>	
100,000	B	572	-	
<b>Dimensions</b>				
137mm x 137mm				
TUC-4-3300N-X-TB	3301	24	138	4000
<b>Weight (kg)</b>	<b>CRI</b>	<b>High Temp (°C)</b>	<b>LED Lifetime</b>	
8.2	CRI>80	50	L <sub>80</sub> B <sub>100</sub> >102,000h	
<b>Driver lifetime (up to hours)</b>	<b>LED Energy Rating</b>	<b>Emergency Output (Lum/lm)</b>	<b>Nightlight Output (Lum/lm)</b>	
100,000	B	572	-	
<b>Dimensions</b>				
137mm x 137mm				
TUC-4-3900N-X-TB	3915	28.5	137	4000
<b>Weight (kg)</b>	<b>CRI</b>	<b>High Temp (°C)</b>	<b>LED Lifetime</b>	
8.2	CRI>80	50	L <sub>80</sub> B <sub>100</sub> >102,000h	
<b>Driver lifetime (up to hours)</b>	<b>LED Energy Rating</b>	<b>Emergency Output (Lum/lm)</b>	<b>Nightlight Output (Lum/lm)</b>	
100,000	B	572	-	
<b>Dimensions</b>				
137mm x 137mm				

TuscanG245	Output (Lum/lm)	Load (W)	Efficacy (lm/W)	CCT (K)
<b>L1243mm</b>				
TUC-4-4500N-X-TB	4517	33	137	4000
<b>Weight (kg)</b>	<b>CRI</b>	<b>High Temp (°C)</b>	<b>LED Lifetime</b>	
8.2	CRI>80	50	L <sub>80</sub> B <sub>100</sub> >102,000h	
<b>Driver lifetime (up to hours)</b>	<b>LED Energy Rating</b>	<b>Emergency Output (Lum/lm)</b>	<b>Nightlight Output (Lum/lm)</b>	
100,000	B	572	-	
<b>Dimensions</b>				
137mm x 137mm				
TUC-4-5100N-X-TB	5110	37.6	136	4000
<b>Weight (kg)</b>	<b>CRI</b>	<b>High Temp (°C)</b>	<b>LED Lifetime</b>	
8.2	CRI>80	50	L <sub>80</sub> B <sub>100</sub> >102,000h	
<b>Driver lifetime (up to hours)</b>	<b>LED Energy Rating</b>	<b>Emergency Output (Lum/lm)</b>	<b>Nightlight Output (Lum/lm)</b>	
100,000	B	572	-	
<b>Dimensions</b>				
137mm x 137mm				
TUC-4-1900W-X-TB	1872	14.9	126	3000
<b>Weight (kg)</b>	<b>CRI</b>	<b>High Temp (°C)</b>	<b>LED Lifetime</b>	
8.2	CRI>80	50	L <sub>80</sub> B <sub>100</sub> >102,000h	
<b>Driver lifetime (up to hours)</b>	<b>LED Energy Rating</b>	<b>Emergency Output (Lum/lm)</b>	<b>Nightlight Output (Lum/lm)</b>	
100,000	C	558	-	
<b>Dimensions</b>				
137mm x 137mm				
TUC-4-2500W-X-TB	2512	19.5	129	3000
<b>Weight (kg)</b>	<b>CRI</b>	<b>High Temp (°C)</b>	<b>LED Lifetime</b>	
8.2	CRI>80	50	L <sub>80</sub> B <sub>100</sub> >102,000h	
<b>Driver lifetime (up to hours)</b>	<b>LED Energy Rating</b>	<b>Emergency Output (Lum/lm)</b>	<b>Nightlight Output (Lum/lm)</b>	
100,000	C	558	-	
<b>Dimensions</b>				
137mm x 137mm				
TUC-4-3100W-X-TB	3141	24.1	130	3000
<b>Weight (kg)</b>	<b>CRI</b>	<b>High Temp (°C)</b>	<b>LED Lifetime</b>	
8.2	CRI>80	50	L <sub>80</sub> B <sub>100</sub> >102,000h	
<b>Driver lifetime (up to hours)</b>	<b>LED Energy Rating</b>	<b>Emergency Output (Lum/lm)</b>	<b>Nightlight Output (Lum/lm)</b>	
100,000	C	558	-	
<b>Dimensions</b>				
137mm x 137mm				

TuscanG245	Output (Lum/lm)	Load (W)	Efficacy (lm/W)	CCT (K)
<b>L1243mm</b>				
TUC-4-3700W-X-TB	3723	28.6	130	3000
	Weight (kg)	CRI	High Temp (°C)	LED Lifetime
	8.2	CRI>80	50	L <sub>80</sub> B <sub>100</sub> >102,000h
	Driver lifetime (up to hours)	LED Energy Rating	Emergency Output (Lum/lm)	Nightlight Output (Lum/lm)
	100,000	C	558	-
	Dimensions			
	137mm x 137mm			
TUC-4-4300W-X-TB	4302	33.1	130	3000
	Weight (kg)	CRI	High Temp (°C)	LED Lifetime
	8.2	CRI>80	50	L <sub>80</sub> B <sub>100</sub> >102,000h
	Driver lifetime (up to hours)	LED Energy Rating	Emergency Output (Lum/lm)	Nightlight Output (Lum/lm)
	100,000	C	558	-
	Dimensions			
	137mm x 137mm			
TUC-4-4900W-X-TB	4874	37.8	129	3000
	Weight (kg)	CRI	High Temp (°C)	LED Lifetime
	8.2	CRI>80	50	L <sub>80</sub> B <sub>100</sub> >102,000h
	Driver lifetime (up to hours)	LED Energy Rating	Emergency Output (Lum/lm)	Nightlight Output (Lum/lm)
	100,000	C	558	-
	Dimensions			
	137mm x 137mm			
<b>L1547mm</b>				
TUC-5-2400N-X-TB	2384	17.6	135	4000
	Weight (kg)	CRI	High Temp (°C)	LED Lifetime
	10.3	CRI>80	-	L <sub>80</sub> B <sub>100</sub> >102,000h
	Driver lifetime (up to hours)	LED Energy Rating	Emergency Output (Lum/lm)	Nightlight Output (Lum/lm)
	100,000	B	-	-
	Dimensions			
	137mm x 137mm			
TUC-5-3200N-X-TB	3181	23.2	137	4000
	Weight (kg)	CRI	High Temp (°C)	LED Lifetime
	10.3	CRI>80	-	L <sub>80</sub> B <sub>100</sub> >102,000h
	Driver lifetime (up to hours)	LED Energy Rating	Emergency Output (Lum/lm)	Nightlight Output (Lum/lm)
	100,000	B	-	-
	Dimensions			
	137mm x 137mm			

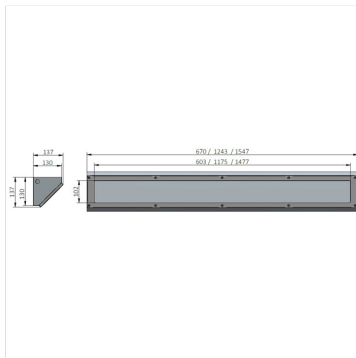
TuscanG245	Output (Lum/lm)	Load (W)	Efficacy (lm/W)	CCT (K)
<b>L1547mm</b>				
TUC-5-4000N-X-TB	3983	28.9	138	4000
<b>Weight (kg)</b>		<b>CRI</b>	<b>High Temp (°C)</b>	<b>LED Lifetime</b>
10.3		CRI>80	-	L <sub>80</sub> B <sub>100</sub> >102,000h
<b>Driver lifetime (up to hours)</b>		<b>LED Energy Rating</b>	<b>Emergency Output (Lum/lm)</b>	<b>Nightlight Output (Lum/lm)</b>
100,000		B	-	-
<b>Dimensions</b>				
137mm x 137mm				
TUC-5-4800N-X-TB	4762	34.6	138	4000
<b>Weight (kg)</b>		<b>CRI</b>	<b>High Temp (°C)</b>	<b>LED Lifetime</b>
10.3		CRI>80	-	L <sub>80</sub> B <sub>100</sub> >102,000h
<b>Driver lifetime (up to hours)</b>		<b>LED Energy Rating</b>	<b>Emergency Output (Lum/lm)</b>	<b>Nightlight Output (Lum/lm)</b>
100,000		B	-	-
<b>Dimensions</b>				
137mm x 137mm				
TUC-5-5500N-X-TB	5530	40.4	137	4000
<b>Weight (kg)</b>		<b>CRI</b>	<b>High Temp (°C)</b>	<b>LED Lifetime</b>
10.3		CRI>80	-	L <sub>80</sub> B <sub>100</sub> >102,000h
<b>Driver lifetime (up to hours)</b>		<b>LED Energy Rating</b>	<b>Emergency Output (Lum/lm)</b>	<b>Nightlight Output (Lum/lm)</b>
100,000		B	-	-
<b>Dimensions</b>				
137mm x 137mm				
TUC-5-6300N-X-TB	6335	46.6	136	4000
<b>Weight (kg)</b>		<b>CRI</b>	<b>High Temp (°C)</b>	<b>LED Lifetime</b>
10.3		CRI>80	-	L <sub>80</sub> B <sub>100</sub> >102,000h
<b>Driver lifetime (up to hours)</b>		<b>LED Energy Rating</b>	<b>Emergency Output (Lum/lm)</b>	<b>Nightlight Output (Lum/lm)</b>
100,000		B	-	-
<b>Dimensions</b>				
137mm x 137mm				
TUC-5-2300W-X-TB	2271	17.6	129	3000
<b>Weight (kg)</b>		<b>CRI</b>	<b>High Temp (°C)</b>	<b>LED Lifetime</b>
10.3		CRI>80	-	L <sub>80</sub> B <sub>100</sub> >102,000h
<b>Driver lifetime (up to hours)</b>		<b>LED Energy Rating</b>	<b>Emergency Output (Lum/lm)</b>	<b>Nightlight Output (Lum/lm)</b>
100,000		C	-	-
<b>Dimensions</b>				
137mm x 137mm				

TuscanG245	Output (Lum/lm)	Load (W)	Efficacy (lm/W)	CCT (K)
<b>L1547mm</b>				
TUC-5-3000W-X-TB	3047	23.3	131	3000
<b>Weight (kg)</b>		<b>CRI</b>	<b>High Temp (°C)</b>	<b>LED Lifetime</b>
10.3		CRI>80	-	L <sub>80</sub> B <sub>100</sub> >102,000h
<b>Driver lifetime (up to hours)</b>		<b>LED Energy Rating</b>	<b>Emergency Output (Lum/lm)</b>	<b>Nightlight Output (Lum/lm)</b>
100,000		C	-	-
<b>Dimensions</b>				
137mm x 137mm				
TUC-5-3800W-X-TB	3835	29.1	132	3000
<b>Weight (kg)</b>		<b>CRI</b>	<b>High Temp (°C)</b>	<b>LED Lifetime</b>
10.3		CRI>80	-	L <sub>80</sub> B <sub>100</sub> >102,000h
<b>Driver lifetime (up to hours)</b>		<b>LED Energy Rating</b>	<b>Emergency Output (Lum/lm)</b>	<b>Nightlight Output (Lum/lm)</b>
100,000		C	-	-
<b>Dimensions</b>				
137mm x 137mm				
TUC-5-4500W-X-TB	4524	34.6	131	3000
<b>Weight (kg)</b>		<b>CRI</b>	<b>High Temp (°C)</b>	<b>LED Lifetime</b>
10.3		CRI>80	-	L <sub>80</sub> B <sub>100</sub> >102,000h
<b>Driver lifetime (up to hours)</b>		<b>LED Energy Rating</b>	<b>Emergency Output (Lum/lm)</b>	<b>Nightlight Output (Lum/lm)</b>
100,000		C	-	-
<b>Dimensions</b>				
137mm x 137mm				
TUC-5-5200W-X-TB	5280	40.4	131	3000
<b>Weight (kg)</b>		<b>CRI</b>	<b>High Temp (°C)</b>	<b>LED Lifetime</b>
10.3		CRI>80	-	L <sub>80</sub> B <sub>100</sub> >102,000h
<b>Driver lifetime (up to hours)</b>		<b>LED Energy Rating</b>	<b>Emergency Output (Lum/lm)</b>	<b>Nightlight Output (Lum/lm)</b>
100,000		C	-	-
<b>Dimensions</b>				
137mm x 137mm				
TUC-5-6000W-X-TB	5982	46.2	130	3000
<b>Weight (kg)</b>		<b>CRI</b>	<b>High Temp (°C)</b>	<b>LED Lifetime</b>
10.3		CRI>80	-	L <sub>80</sub> B <sub>100</sub> >102,000h
<b>Driver lifetime (up to hours)</b>		<b>LED Energy Rating</b>	<b>Emergency Output (Lum/lm)</b>	<b>Nightlight Output (Lum/lm)</b>
100,000		C	-	-
<b>Dimensions</b>				
137mm x 137mm				

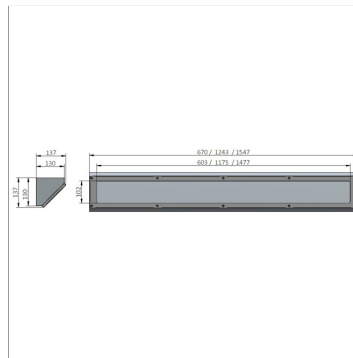
## ■ Fitting Options

Anti-Graffiti Diffuser Coating	-AG
Coastal Paint Finish (Zone 2)	-Z2
Ski-Slope Body	-SK
Network Rail Specs	-NT
Blank Ends	-BE
DALI with **% Pre-set	-D
Maintained Emergency 3 Hour, Self Test	-ES
Maintained Emergency 3 Hour, DALI	-ED
Maintained Emergency 3 Hour	-E3
Textured Black	-TB
Textured White	-TW
Matt Titanium	-MT
Switch Dimming	-DI
DALI-2 Dimming / Monitoring	-DA
Night Time Dimming 6% Pre-set	-DN
Corridor Function	-CF

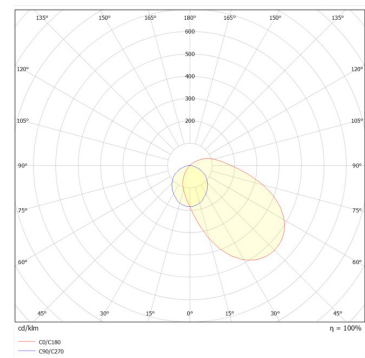
- For paint colour options, please replace -TB with required paint code.
- -CF will only work if combined with an external presence detection sensor supplied by others.
- HT Applies for standard version. For any options (e.g.-E3) please contact technical sales on +44 (0)20 8254 2022 or email [technical@designplan.co.uk](mailto:technical@designplan.co.uk).
- Emergency options (-E3/ -ES/ -ED) and Dimming options (-DA/ -DI) cannot be combined on 670mm versions.
- Emergency options (-E3/ -ES/ -ED) and Corridor Function (-CF) cannot be combined on 670mm versions.
- -ED not available on 670mm versions.



Tuscan G2 45 Drawing



Tuscan G2 45 Blank Ends Option Drawing



Tuscan G2 45 Polar Curve